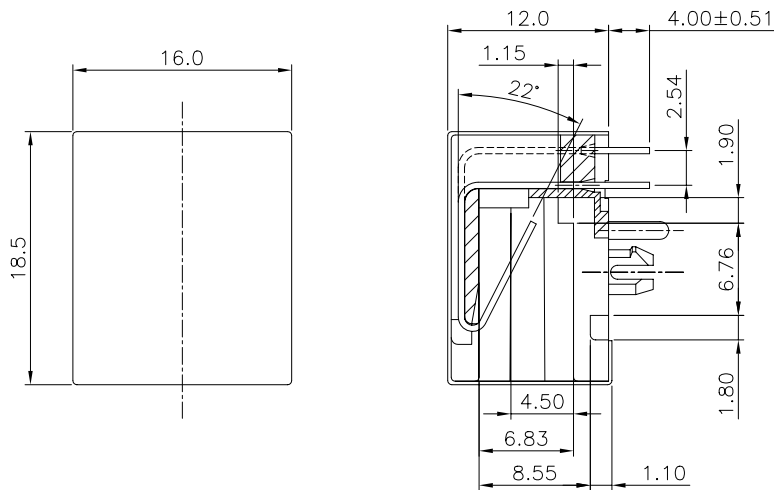
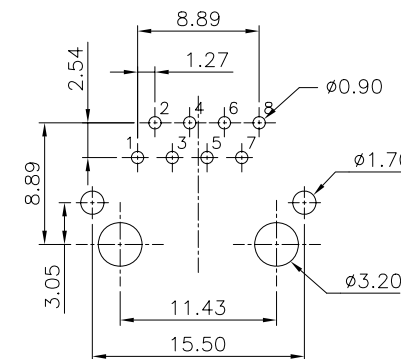
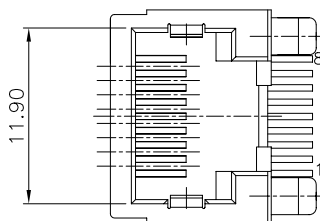
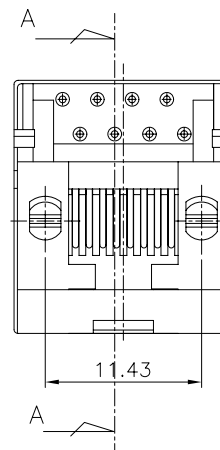


REVISION RECORD				
REV	ECO	DESCRIPTION	DRFT	CHKD
△		ADD P/N.	HERO 12/13/05	



SECTION A-A



PC Board Layout  
Component Side Shown

**NOTES:**

**ELECTRICAL:**

1. VOLTAGE RATING: 125 VAC RMS.
2. CURRENT RATING: 1.5 AMP.
3. CONTACT RESISTANCE: 30 MINIOHMS MAX.
4. INSULATION RESISTANCE: 1000 MILLIOHMS MIN @ 500 VDC.
5. DIELECTRIC STRENGTH: 1000 VAC RMS 60Hz, 1MIN.

**MECHANICAL:**

1. HOUSING MATERIAL: FR52 & PA66 UL 94V-0.
2. CONTACT MATERIAL: PHOSPHOR BRONZE Ø0.46mm.
3. PLATING: GOLD PLATING OVER NICKEL.
4. OPERATING LIFE: 750 CYCLES MIN.
5. PCB RETENTION PRE-SOLDER: 1 LB MIN.
6. PCB RETENTION POST-SOLDER: 10 LBS MIN.

**ENVIRONMENTAL:**

1. STORAGE: -40°C TO +85°C.
2. OPERATION: -40°C TO +85°C.
3. WAVE SOLDERING TEMPERATURE: 255~265°C(5~10SECONDS)

MATES WITH MODULAR PLUG CONFORMING TO  
FCC PART 68, SUBPART F.

CUL FILE NO. E163191

PART NUMBER: E5388-0YJXXX-L

1-3u" 2-6u" 3-15u"  
4-30u" 5-50u" 6-Pd20u"  
F-Gold flash

57-FR52 BK  
G7-PA66+30%G.F BK △

DETACHED LISTS	MM (INCH)	DFTO WYJ	DATE 8/11/05*	FULL RISE ELECTRONIC CO., LTD		
	TOLERANCES EXCEPT AS NOTED	CHKD	DATE			
	MM	MFO	DATE 12/15/05*	TITLE 90° VERY L/P FULL SHIELDED PCB JACK 8P		
	.0 ± 0.2 ±	APPVL oscar				
.00 ± 0.15 ±	MATERIAL :	QT'Y :	DRAWING NO. GE533P47-LA		SIZE A3	REV 1
.000 ± 0.075 ±	ANGLES ±	FINISH :	/PART NO. SEE NOTE		DO NOT SCALE DRAWING	
	THIRD ANGLE PROJECTION	SCALE : 3:1	SHEET		OF	

H  
G  
F  
E  
D  
C  
B  
A